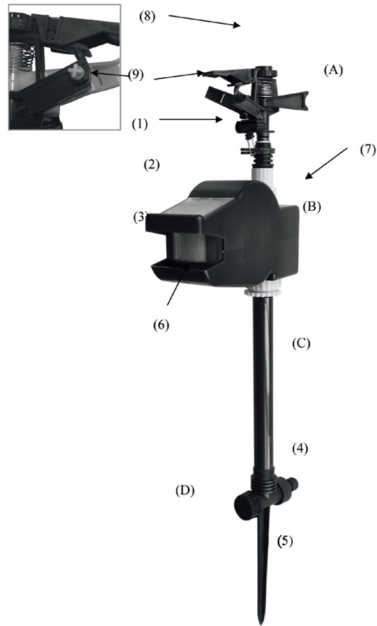


# Animal deterrent with built-in PIR motion sensor

## Operating manual

Dear customer,

Congratulations on your purchase of one of our quality products. Please read the instructions for use carefully prior to using this product, and store them in a safe place.



### 1. Product description

The “Water Blaster” animal deterrent drives away unwanted “visitors” to your garden or property with a harmless jet of water.

When the built-in sensor detects movement within a range of up to 11 meters, the jet of water is activated for approximately 5 seconds. Most animals are disturbed by this jet of water and leave the monitored area.

Also, the clicking noise of the distribution valve that sounds when the jet of water is activated frightens the animals and helps to drive them away safely. The jet of water is only reactivated when movement is once again detected. This ensures high effectiveness with very low water consumption.

Repels small and large birds, dogs, cats, wild animals etc.

**Particularly well suited for keeping herons away from ponds.**

### 2. Package contents

- 1 Sprinkler unit (A)
- 1 Sensor unit (B)
- 1 Plastic tube (length approximately 20cm) (C)
- Ground anchor including water hose connection (length approximately 20 cm) (D)
- Cover, sealing ring, 4 screws (for battery compartment)
- 1 Operating manual

### 3. Power supply / commissioning

#### Inserting the batteries

1. Remove the sensor unit (B), the enclosed cover, the seal and the screws for the battery compartment from the package.
2. Insert 4 new batteries, size “AA” mignon, into the battery compartment (6) on the bottom of the sensor unit. Ensure correct polarity as indicated.
3. Now insert the seal into the recess around the edge of the battery compartment and carefully secure the cover with the help of the 4 screws. Ensure that the cover is properly sealed.

#### Battery replacement

1. Open the cover of the battery compartment (6) by loosening the 4 screws. Now insert four new batteries. Ensure correct polarity as indicated.

2. Close the cover of the battery compartment with the help of the screws. Ensure that the cover is properly sealed.

#### Notice

**Batteries self-discharge during storage. This may mean that the full capacity is not available at first use, which can result in a shortened service life. Furthermore, the recharge capacity of rechargeable batteries can decrease after extended use.**

**Should the device fail to function properly, check the voltage of the installed batteries and replace them if required.**

#### ⚠ Attention: Important battery information

- Remove the batteries if you will not be using the device for an extended period of time. Leaking batteries may permanently damage the device.
- **Battery disposal information:** Batteries are subject to legal regulations. This means they have to be returned to the point of sale or brought to a public collection centre for hazardous materials after use. Batteries may not be disposed of in regular household garbage, with recyclable materials etc. Only put batteries into the used battery collection container after they are fully discharged, and take precautions against short circuits (e.g. tape over the poles).

### 4. Commissioning

#### Sprinkler unit installation

Screw the sprinkler unit (A) onto the thread on the top of the sensor housing (B). Gently tightening the connection by hand is sufficient in order to prevent leaks. Avoid using excessive force while tightening, since this may damage the threads.

#### Valve function

A clicking noise is heard when the valve is active. In order to test the device, turn the sensitivity switch (7) on the back of the sensor housing (B)

clockwise to level 9. Now move your hand across the motion sensor (3) at the front. A clicking noise should be heard.

The valve is opened and the clicking noise is heard for approximately 5 seconds. This is followed by a pause of approximately 5 seconds before the sensor is reactivated. The pause prevents animals from becoming accustomed to the device, which could be the case with continuous operation.

#### Ground anchor installation

Now thread the ground anchor (D) onto the pipe (C) and attach it to the bottom of the sensor housing (B). Please avoid using excessive force. Gently tightening the connection by hand is once again sufficient in order to prevent leaks.

Now insert the ground anchor of the device into the soil, ensuring that the sprinkler faces in the direction from which the device is to be activated. Avoid exerting excessive pressure on the housing while doing so, since this may cause damage.

#### Settings

Adjust the sensor sensitivity at the back (7) of the device:

**Setting “o”** The sensor is inactive

**Setting “g”** Detection range approximately 10 metres

Connect your garden hose to the connector on the ground anchor (4). You do not have to turn on the water in order to adjust the device. (If the ambient noise level is too high to hear the clicking sound of the valve, you may turn on the water in order to test the device.) Move in front of the sensor (3) in order to determine the sensor detection range and adjust the sensor sensitivity on the back of the device (7) until the desired range is achieved. In order to adjust the distance covered by the jet of water, turn the adjustment wheel (8) on the top of the sprinkler unit.

(MIN. <-> MAX.)

The jet of water has a maximum range of up to 11 metres, depending on the water pressure.

(2 bar – approximately 7 m / 4 bar – approximately 9 m / 6 bar – approximately 10 m / 8 bar – approximately 11 m)

Now you can adjust the sprinkler jet angle by changing the spacing of the radius limiters (1). Spread them slightly so that you can turn them more easily.

Position the limiters so that the metal bracket works between the two limiters and the sprinkler faces in the desired direction. The further apart the limiters are, the wider the range covered by the sprinkler. During operation, the sprinkler head can independently move back and forth between the limiters.

Now turn on the water. The device is ready to use.

#### Adjusting the jet of water:

Use the adjustment screw (9) to adjust the jet of water as follows:

Turn the screw out – “direct” jet of water / turn the screw in – “wide” jet of water.

If additional changes are required, repeat the preceding steps correspondingly.

**Attention:** In order to maintain sensor functionality, regularly clean the lens using a damp, lint-free cloth.

Do not leave the device outside when there is a risk of frost. Please remove the batteries prior to storing the device.

### 5. Detection range of the PIR motion detector

The following information on the PIR motion detector only serves as a reference. Variable parameters, such as weather and environment, have a negative influence on the sensitivity of the sensor.

#### PIR-sensor:

**Detection angle:** Approx. 120° (depending on the weather and ambient conditions)

**Range:** Up to approximately 10 metres (depending on the weather and ambient conditions)

**Pause time:** Approx. 5 seconds

### 6. Precautionary measures

Do not direct the device at neighbouring properties or areas with public access. It is only intended for use on your own private property. The animal deterrent is designed to solve problems with free-roaming, stray animals or animals not on a leash.

### 7. Technische gegevens

**PIR-sensor:** 120° detection angle, approximately 10 metres, adjustable (3)

**Monitored area:** Approx. 60 m<sup>2</sup>

**Range, jet of water:** Approx. 10 metres, adjustable

**Hose connection:** Standard quick-coupling system (4)

**Operation:** Electricity to the PIR sensor and valve is supplied by Batteries. We recommend 4x AA mignon (Batteries are included in the scope of delivery.)

#### Dimensions:

**Plastic pipe including ground anchor:** Lengte aan elkaar geschroefd: ca. 40 cm

**Device height (incl. ground anchor):** cav. 65 cm

### 8. Safety instructions

**Important:** Any damage caused by failure to observe the instructions for use voids the warranty. GARDIGO assumes no liability for resulting consequential damages.

· The device may only be operated at the specified voltage.

- If repairs are required, original replacement parts should be used exclusively in order to avoid serious damage.
- Check all cables used to connect the device for cracks or damaged insulation. Do not use the device in case of defects or visible damage.
- Repairs or other work on the device, e.g. fuse replacement etc., may only be carried out by authorised personnel.
- Please note that operating or connection errors are beyond the control of GARDIGO and that no liability can be assumed for any resulting consequential damages.
- In any case, verify that the device is suitable for the respective installation location.
- This device is not suitable for use by persons (including children) with limited physical, sensory or mental capabilities or with a lack of experience or knowledge, unless they are supervised and have been instructed in the use of the device by a person responsible for their safety.
- Children should be supervised in order to ensure that they do not play with the device

### 9. General information

1. Electrical devices, packaging materials etc. must be kept out of reach of children.
2. Packaging and wear parts (film, used products) must be disposed of in an environmentally friendly manner.
3. If the product is passed on to third parties, it should be accompanied by the matching instructions for use.
4. Changes to the design and technical data without prior announcement are reserved in the interest of continuous product improvements.



#### Environmental protection notice

At the end of its life span this product may not be disposed as normal household waste but must be disposed of at a collecting place for recycling of electrical and electronic equipment. The icon on the product, in the manual, or on the packing points to this fact. The materials are recyclable according to their labelling. Through reusing, material recycling, or other forms of utilisation of old devices you make an important contribution to the protection of the environment. Please ask the local administration for the responsible waste disposal centre.